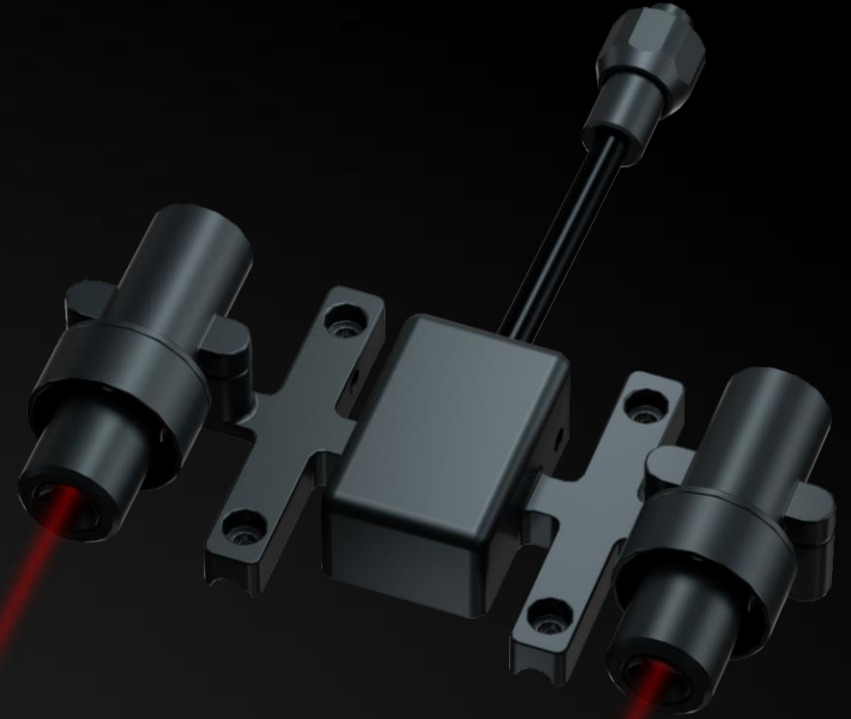


CHASING

Chasing Laser Scaler

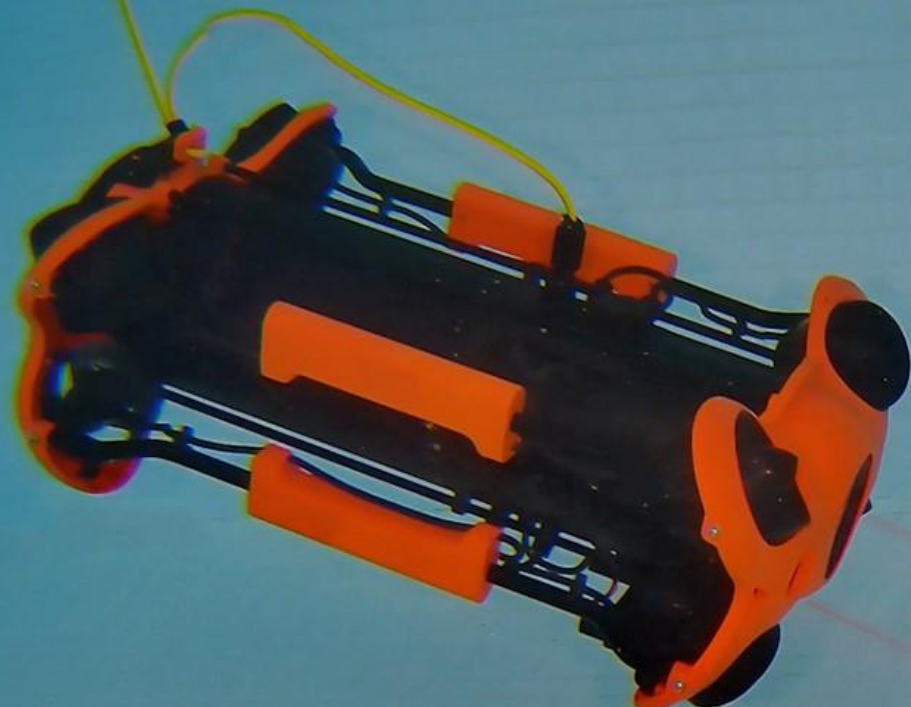
Accessory specially designed for use with
CHASING M2 and **CHASING M2 PRO ROV**.

www.chasing.com



Chasing Laser Scaler is an accessory specially designed for use with CHASING M2 and CHASING M2 PRO ROV. It features a user-friendly 10cm pitch red laser beam and is primarily used for measuring aquaculture products, and calculating the length of cracks in boats, dams, etc. Widely used in aquaculture, dam inspection, and boat repair.





Product Parameter

Chasing Laser Scaler	
Size (mm)	132x70x36.5 mm
Weight	≈190 g
Operating temperature	-10°C-45°C
Beam exit diameter	3-5 mm
Laser spacing	10±0.5 cm
Laser color	Red

CHASING

Chasing Laser Scaler

