

CHASING

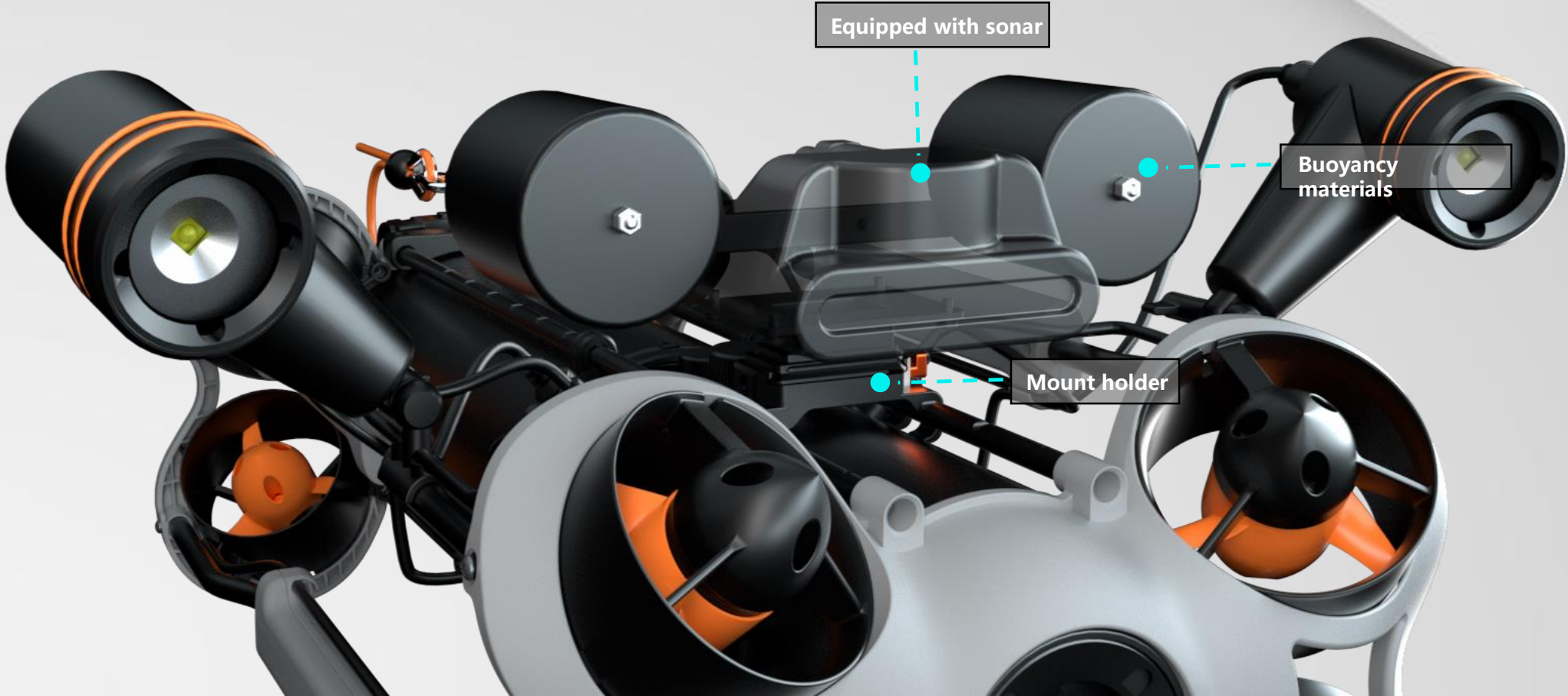
# CHASING BLUEPRINT OCULUS KIT

Accessory specially designed  
for use with **M2 PRO ROV**.



[www.chasing.com](http://www.chasing.com)

The **CHASING BLUEPRINT OCULUS Kit** is exclusively and custom-designed for the CHASING M2 PRO to add image sonar capabilities. The components are used for the link between the ROV and BP sonar. The product is easy to install and convenient to use, providing you more operational pleasures.





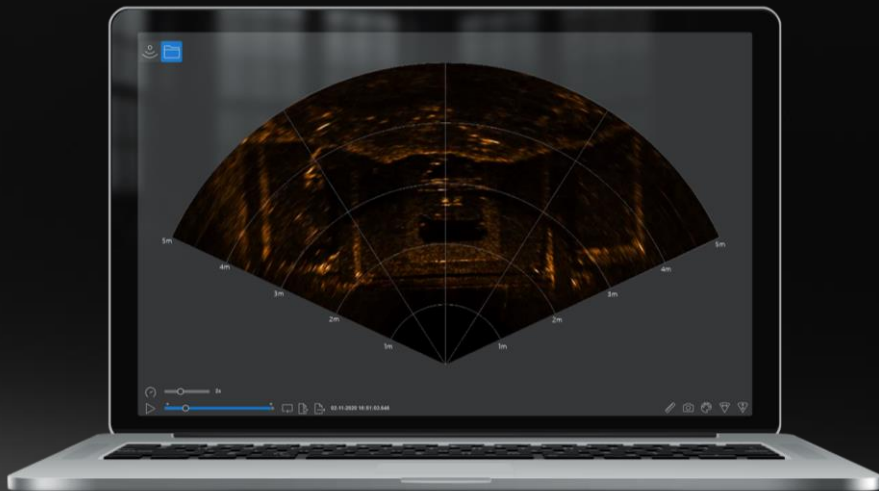
# Two buoyancy modules, providing effective buoyancy

The CHASING BLUEPRINT OCULUS Kit comes with two buoyancy modules to provide effective buoyancy for the sonar.



# Double-headed connection cable for real-time data transfer

The CHASING BLUEPRINT OCULUS Kit comes with a double-headed connection cable to transfer data collected by the sonar to your mobile phone or computer in real time.



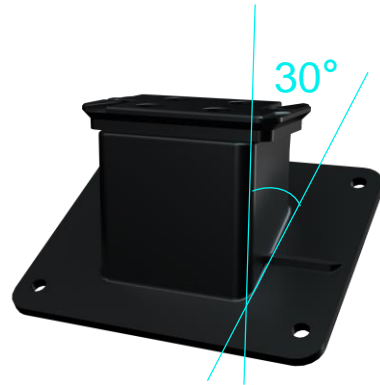


# Two mounting bases for your convenience

The CHASING BLUEPRINT OCULUS Kit comes with two mounting bases. A flat mounting base is used to mount a single image sonar, while the 30° mount holder is used for mounting multiple accessories to the remotely operated underwater vehicle (ROV), to provide more mounting space for other accessories.



• Image sonar mount holder



• Image sonar mount holder  
(oblique 30°)



30°

# Product Parameter

CHASING BLUEPRINT OCULUS Kit	
Size	125 × 122 × 122mm
Weight	980g (air), 360g (water)
Depth tolerance	150 m
Integrated transducer	Temperature and pressure sensors for calculating the sound speed
Structure	Anodized aluminum, or titanium

CHASING

CHASING BLUEPRINT OCULUS Kit



[www.chasing.com](http://www.chasing.com)